

# Technical Manual



# JBL SR4722

## SPECIFICATIONS

### ACOUSTIC & ELECTRICAL SPECIFICATIONS:

- Nominal Impedance: 8 ohm
- Power Rating: 600W
- Frequency Response: 53 Hz to 17 kHz
- Sensitivity: 98 dB SPL\*
- Crossover Frequencies: 1.2 kHz

### SYSTEM COMPONENTS:

- Cabinet: CSR4722
- Grille: GSR4722 (72389)
- Low Frequency Transducer: 305mm (12 in.) Paper Cone Transducer (2206H)
- DC Resistance: 5.3 ohm ± 10% Aluminum Wire

\*1 Watt (2.83 V RMS) @ 1 Meter

### SYSTEM COMPONENTS: (cont'd)

- High Frequency Transducer: 25mm (1 in.) Pure Titanium Compression Driver (2416H)
- DC Resistance: 3.2 ohm ± 8% Aluminum Wire
- Crossover Network: NSR4722 (72388)

### AURAL SWEEP TEST SPECIFICATIONS:

- A. System Aural Sweep Test: 7.0V Input, 20 Hz to 20 kHz
- B. L.F. Aural Sweep Test: 10.0V Input, 20 Hz to 1.2 kHz
- C. M.F. Aural Sweep Test: 2.83V Input, 550 Hz to 1.2 kHz

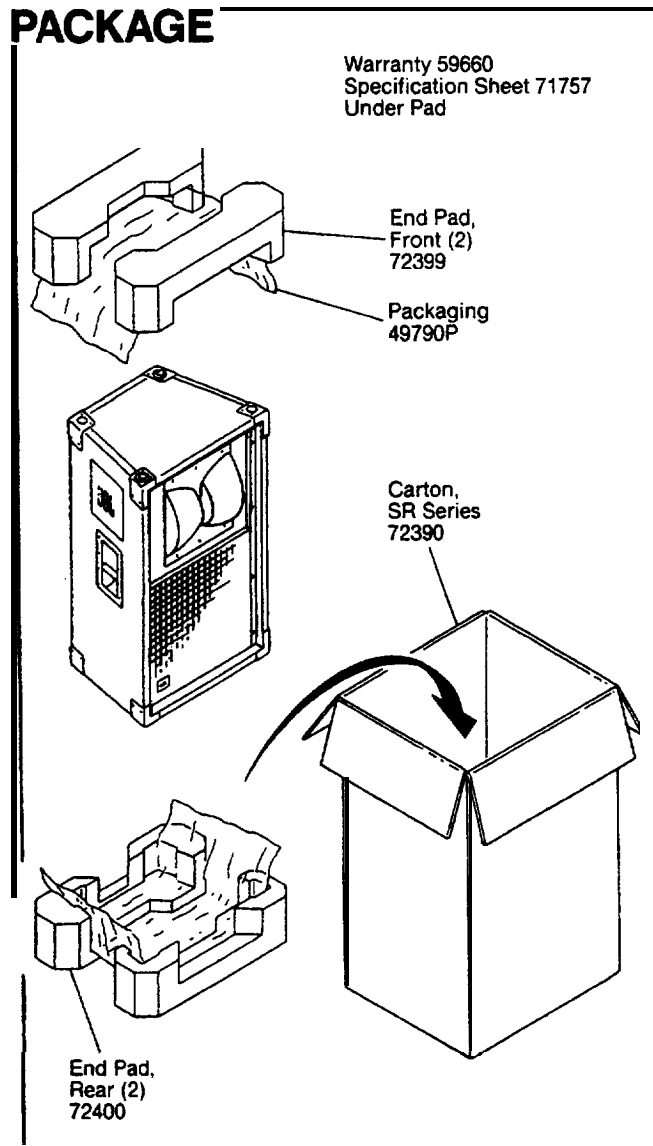
### PHYSICAL SPECIFICATIONS:

- Enclosure Dimensions: 686mm x 492mm x 330mm D (27.0 x 19.37 x 13.0 in. D)
- Shipping Weight: 57.5 lbs. (26 kg)

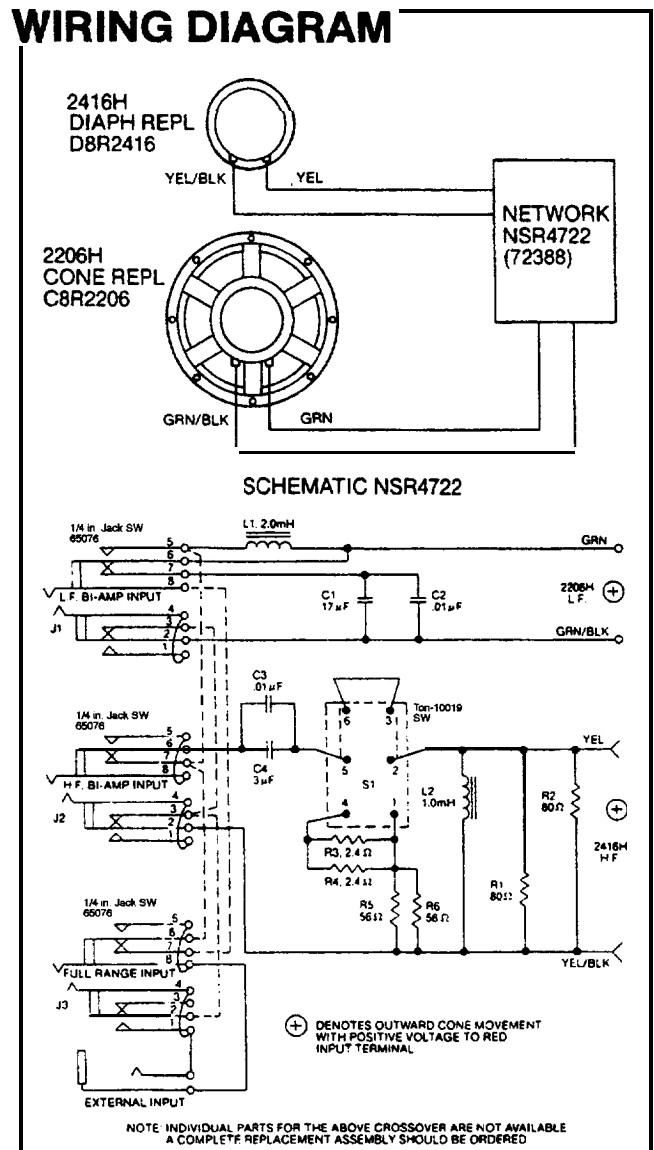
### WARRANTY INFORMATION:

- Refer to the Warranty Statement packed with each product.

## PACKAGE



## WIRING DIAGRAM





# Technical Manual

# JBL SR4722A

## SPECIFICATIONS



### ACOUSTIC & ELECTRICAL SPECIFICATIONS:

- Nominal Impedance: 8 ohm
- Power Capacity: 600W Continuous Pink Noise
- Frequency Range: 50 Hz to 20 kHz (-10 dB)
- Sensitivity: 98 dB SPL\*
- Crossover Frequencies: 1.2 kHz

### SYSTEM COMPONENTS:

- Cabinet: CSR4722A
- Grille: GSR4722 (72389)
- Low Frequency Transducer: 305mm (12 in.) Paper Cone Transducer (2206H)
- DC Resistance: 5.3 ohm  $\pm 10\%$  Aluminum Wire

### SYSTEM COMPONENTS: (cont'd)

- High Frequency Transducer: 25mm (1 in. Exit) Pure Titanium Compression Driver (2417H)
- DC Resistance: 3.2 ohm  $\pm 8\%$  Aluminum Wire
- Crossover Network: NSR4722 (75963)

### AURAL SWEEP TEST SPECIFICATIONS:

- A. System Aural Sweep Test: 7.0V Input, 20 Hz to 20 kHz
- B. L.F. Aural Sweep Test: 15.0V Input, 20 Hz to 1.2 kHz
- C. H.F. Aural Sweep Test: 2.0V Input, 550 Hz to 20 kHz

### PHYSICAL SPECIFICATIONS:

- Enclosure Dimensions: 711mm x 508mm x 343mm D (28.0 x 20.0 x 13.5 in. D)
- Shipping Weight: 64 lbs. (29.1 kg.)

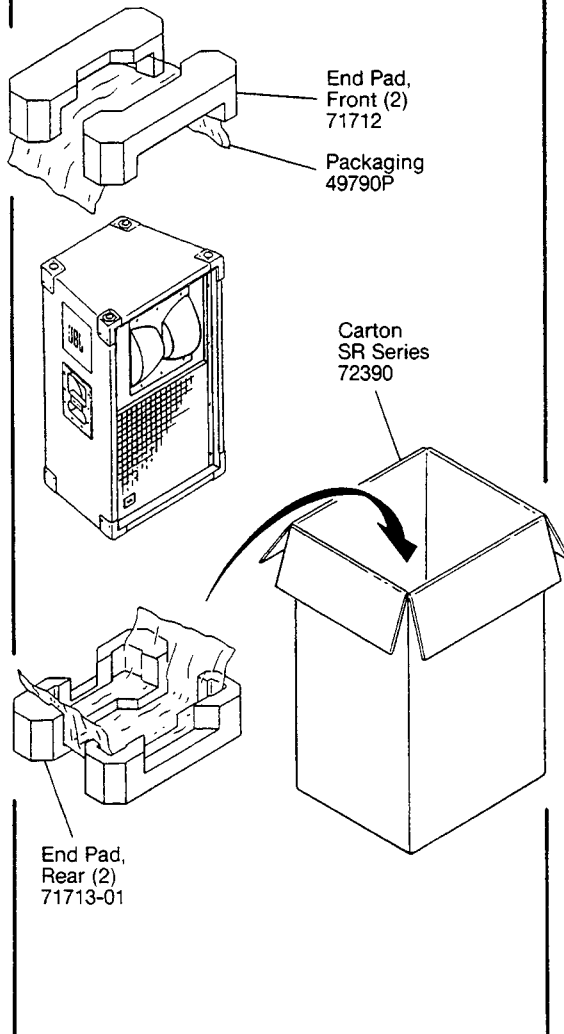
### WARRANTY INFORMATION:

- Refer to the Warranty Statement packed with each product.

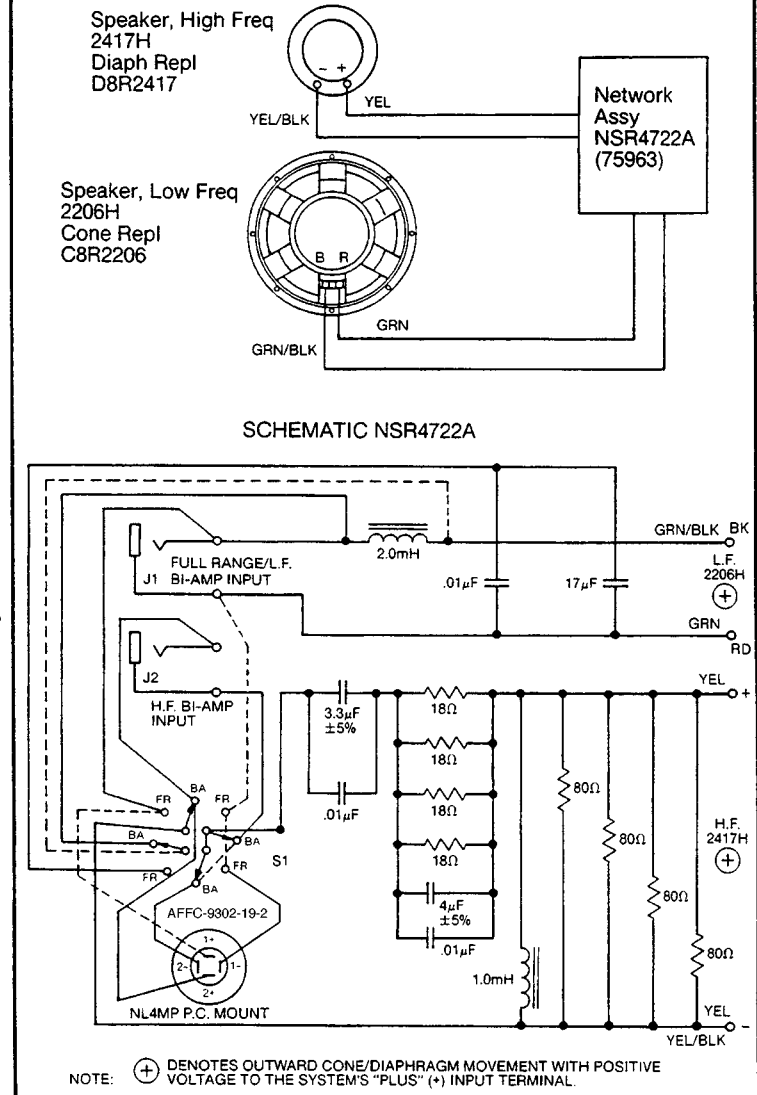
\*1 Watt (2.83 V RMS) @ 1 Meter

## PACKAGE

Warranty 59660  
Specification Sheet 76487  
Owners Manual 76364  
Under Pad



## WIRING DIAGRAM



JBL SR4722A REVE