

Technical Manual

JBL MP415

SPECIFICATIONS



ACOUSTIC & ELECTRICAL SPECIFICATIONS:

- Nominal Impedance: 8 ohms
- Power Capacity: 350W
- Frequency Range: 44 Hz – 20 kHz (-10dB)
- Sensitivity: 99 dB SPL, 1 Watt @ 1 Meter
- Crossover Frequency: 1.5 kHz

SYSTEM COMPONENTS:

- Cabinet: Enclosure MP415
- Grille: 128-00426-01
- Low Frequency Transducer: 380mm (15 in.) 2033H Transducer (124-37007-00X)
- DC Resistance: 5.3 ohms
- High Frequency Transducer: 2406H, 2406H-1 1 in Compression Driver
- DC Resistance: 4.3 ohms

SYSTEM COMPONENTS: (Cont'd)

- Crossover Network: 336821-002

AURAL SWEEP TEST SPECIFICATIONS:

- A. System Aural Sweep Test: 7.0V Input, 20 Hz to 20 kHz
- B. L.F. Aural Sweep Test: 6.0V Input, 20 Hz to 2 kHz
- C. H.F. Aural Sweep Test: 0.75V Input, 200 Hz to 1 kHz

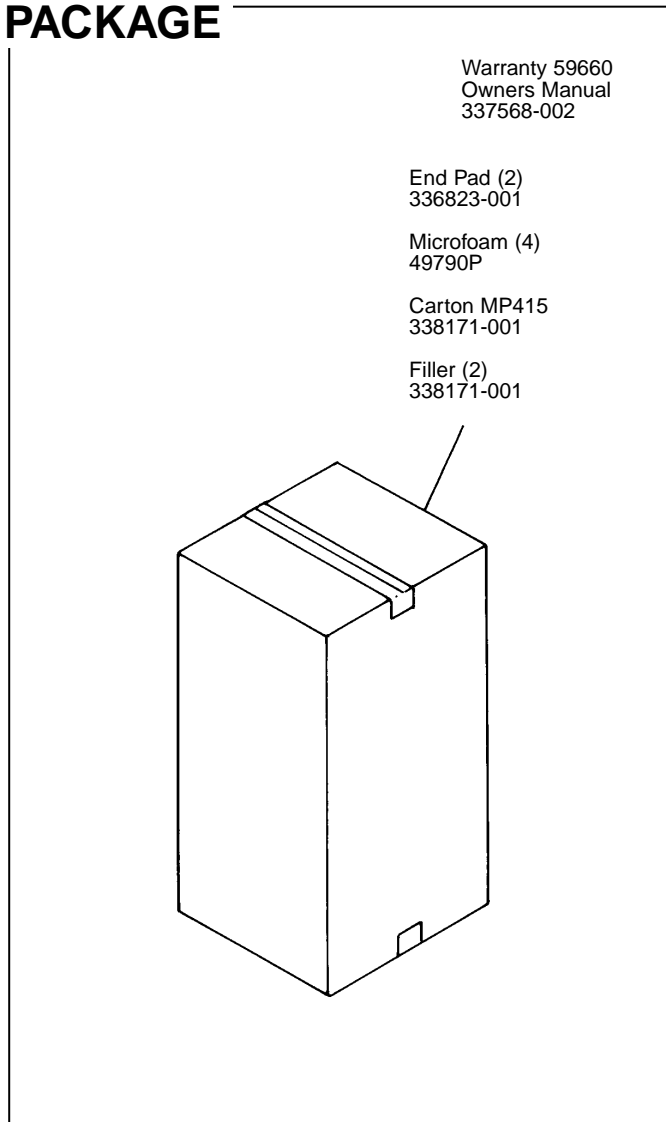
PHYSICAL SPECIFICATIONS:

- Enclosure Dimensions: 719mm x 461mm x 383mm D (28.3 x 18.2 x 15.1 in. D)
- Net Weight: 59 lbs. (26.8 kg.)

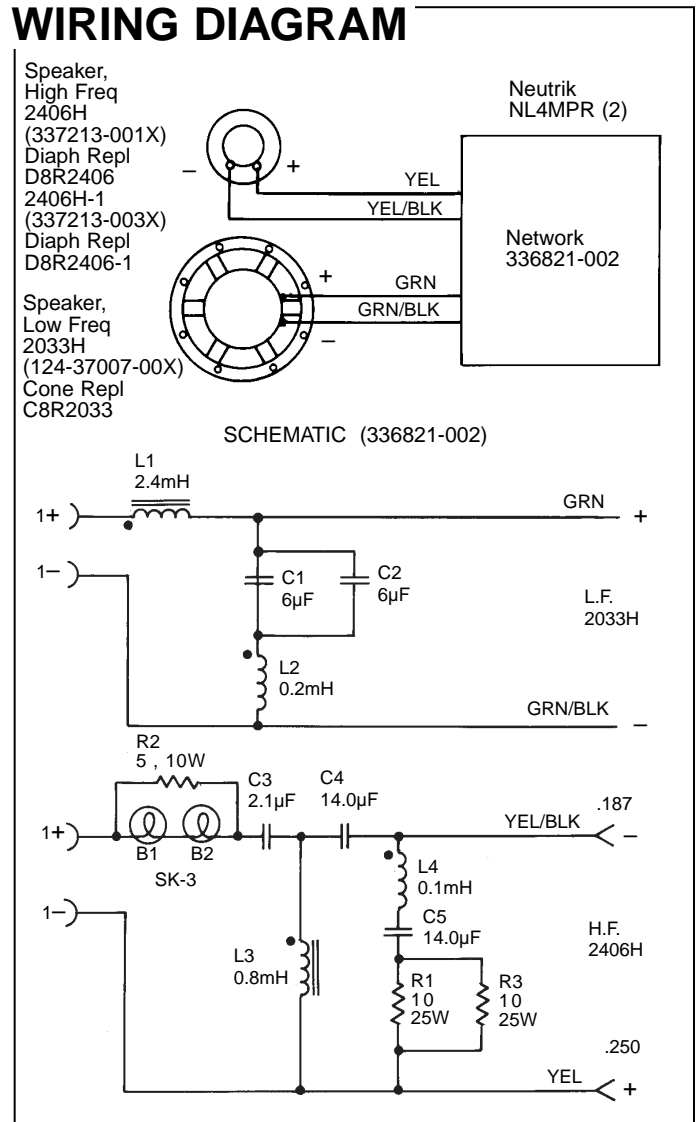
WARRANTY INFORMATION:

- Refer to Warranty Statement packed with each product.

PACKAGE



WIRING DIAGRAM



JBL MP415 REV R

JBL MP415

COMPONENT EXPLODED VIEW

